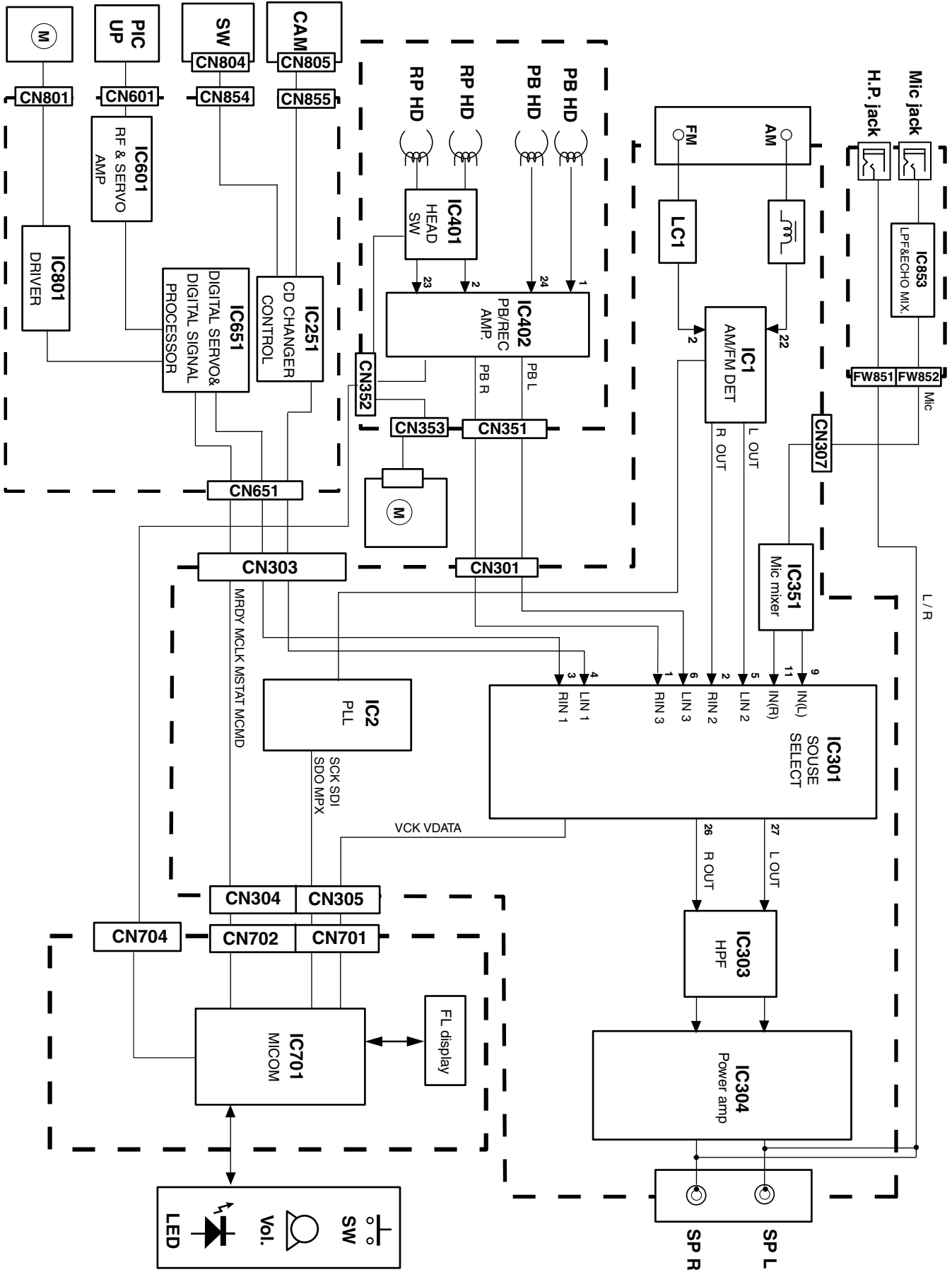


# Block diagram



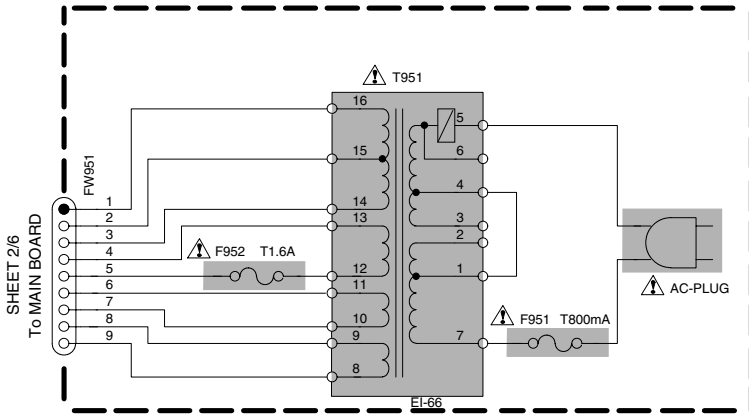
# Standard schematic diagrams

## ■ Power Transformer section

7

UP Version

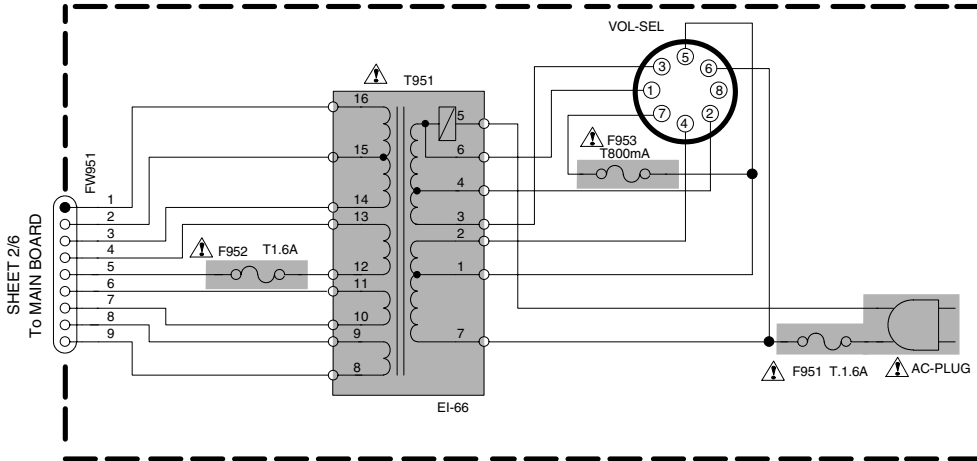
220V 60Hz



5

U/US/UT/UY Version

110/127/220/230-240V 50/60Hz



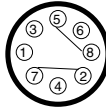
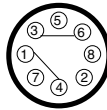
3

AC110V

AC127V

AC220V

AC230-240V



Note : The Fuse rating and Transformer is difference with model J200

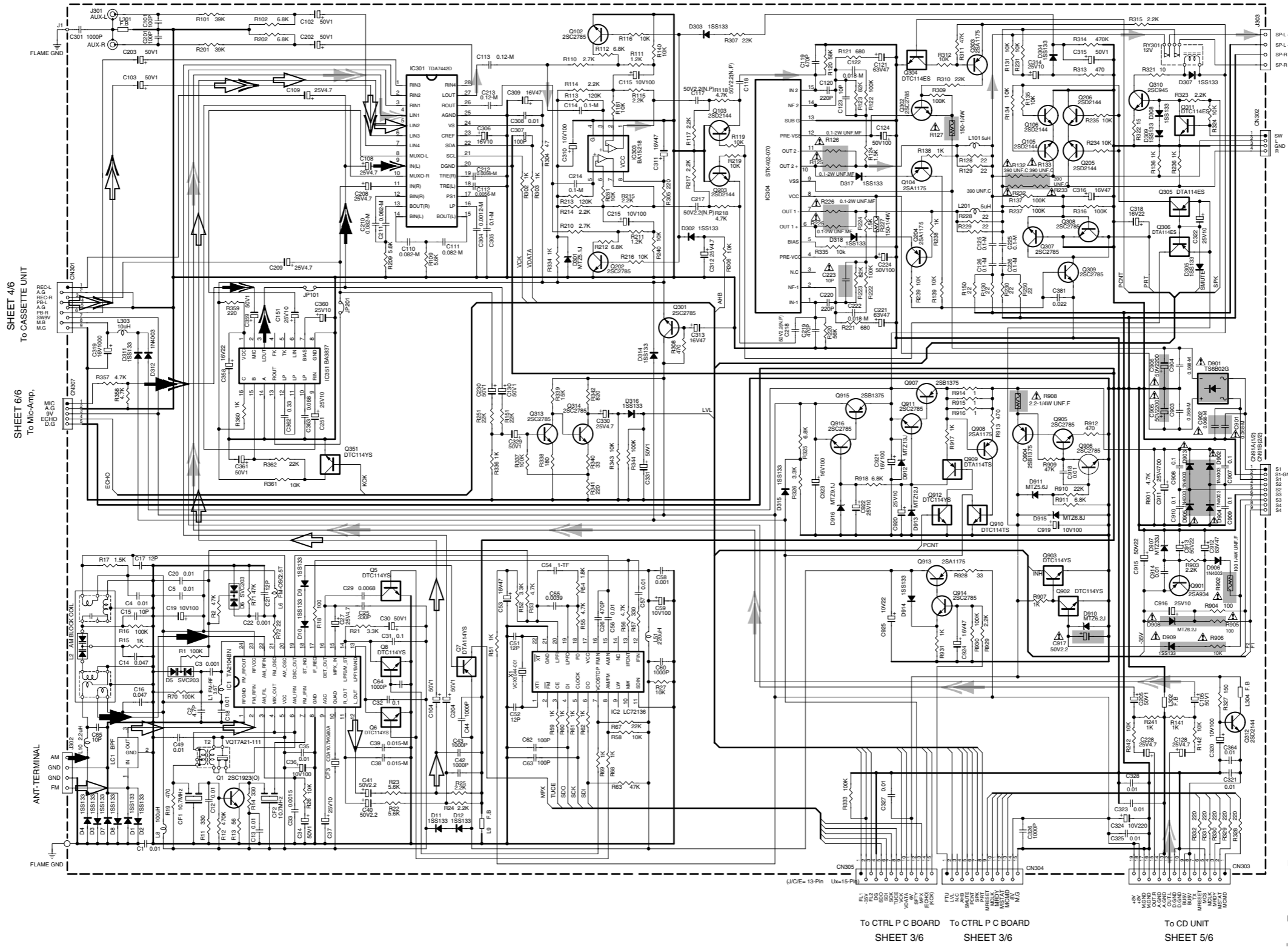
2

⚠ Parts are safety assurance parts.  
When replacing those parts make  
sure to use the specified.

1

■ Main section

7  
6  
5  
4  
3  
2  
1



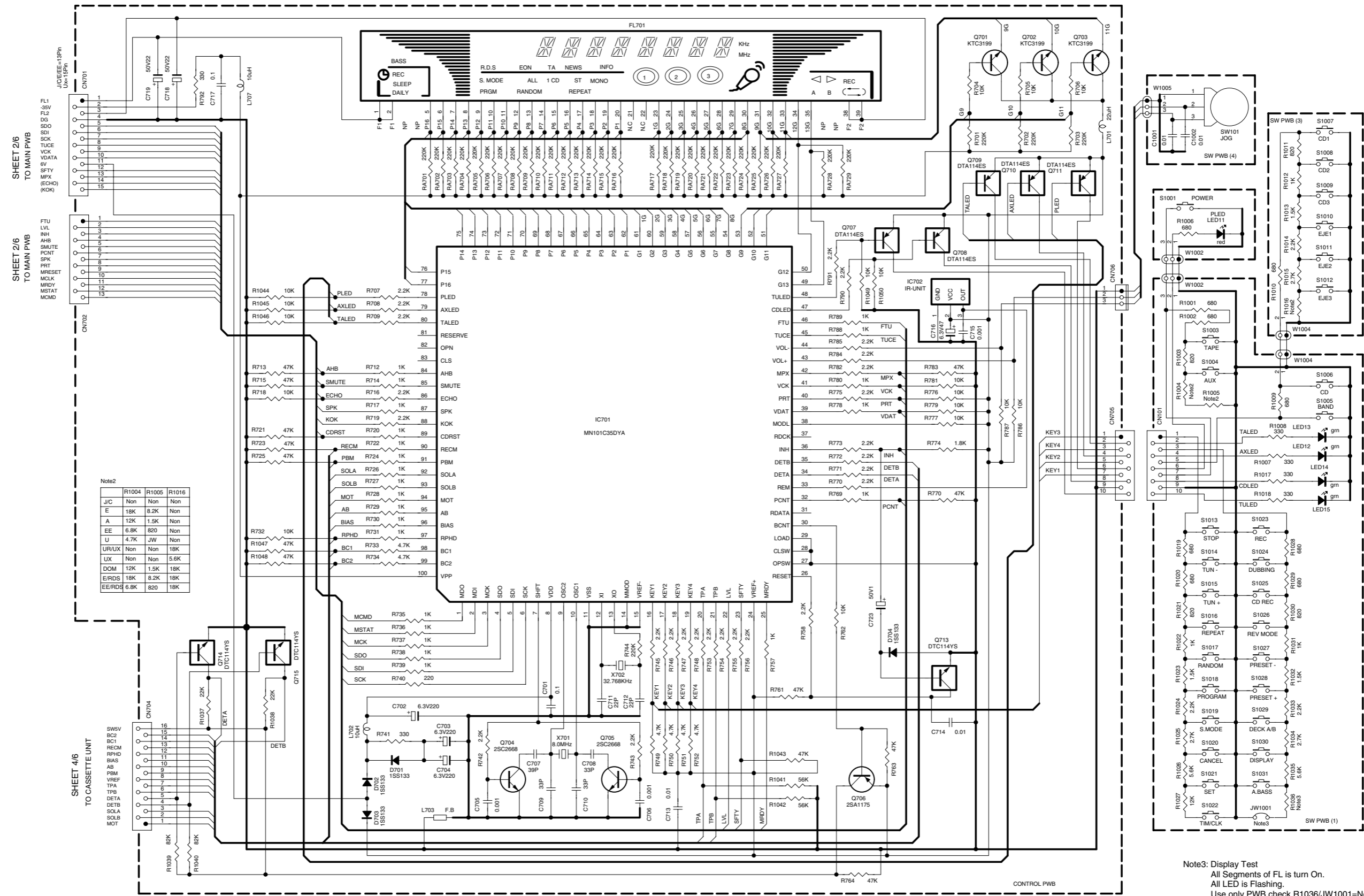
To CASSETTE UNIT  
SHEET 4/6  
To Mic-Amp.  
SHEET 6/6  
To CTRL P C BOARD  
SHEET 3/6  
To CTRL P C BOARD  
SHEET 3/6  
To CD UNIT  
SHEET 5/6  
To SECONDARY  
SHEET 1/6  
SPEAKER OUTPUT  
TO HEADPHONE  
SHEET 6/6

- MAIN signal
- Mic signal
- TAPE P.B. signal
- AM signal
- FM/TUNER signal
- CD signal

⚠ Parts are safety assurance parts. When replacing those parts make sure to use the specified.

A B C D E F G H I J

Control section

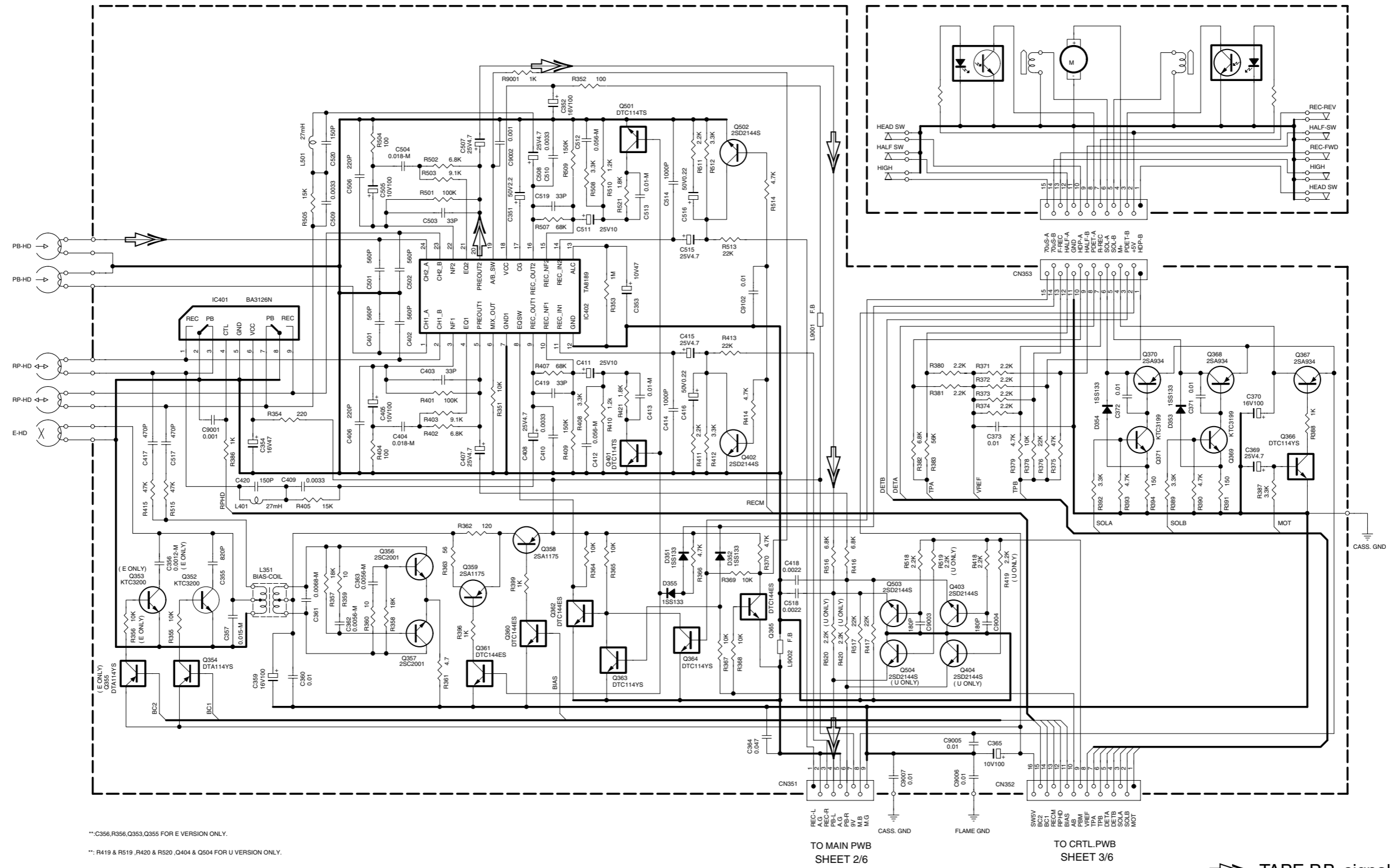


Note2

	R1004	R1005	R1016
J/C	Non	Non	Non
E	18K	8.2K	Non
A	12K	1.5K	Non
EE	6.8K	820	Non
U	4.7K	JW	Non
UR/UX	Non	Non	18K
LX	Non	Non	5.6K
DOM	12K	1.5K	18K
E/RDS	18K	8.2K	18K
EE/RDS	6.8K	820	18K

Note3: Display Test  
 All Segments of FL is turn On.  
 All LED is Flashing.  
 Use only PWB check R1036/JW1001=Non

Cassette amplifier section



\*\*C356,R356,Q353,Q355 FOR E VERSION ONLY.

\*\*R419 & R519 ,R420 & R520 ,Q404 & Q504 FOR U VERSION ONLY.

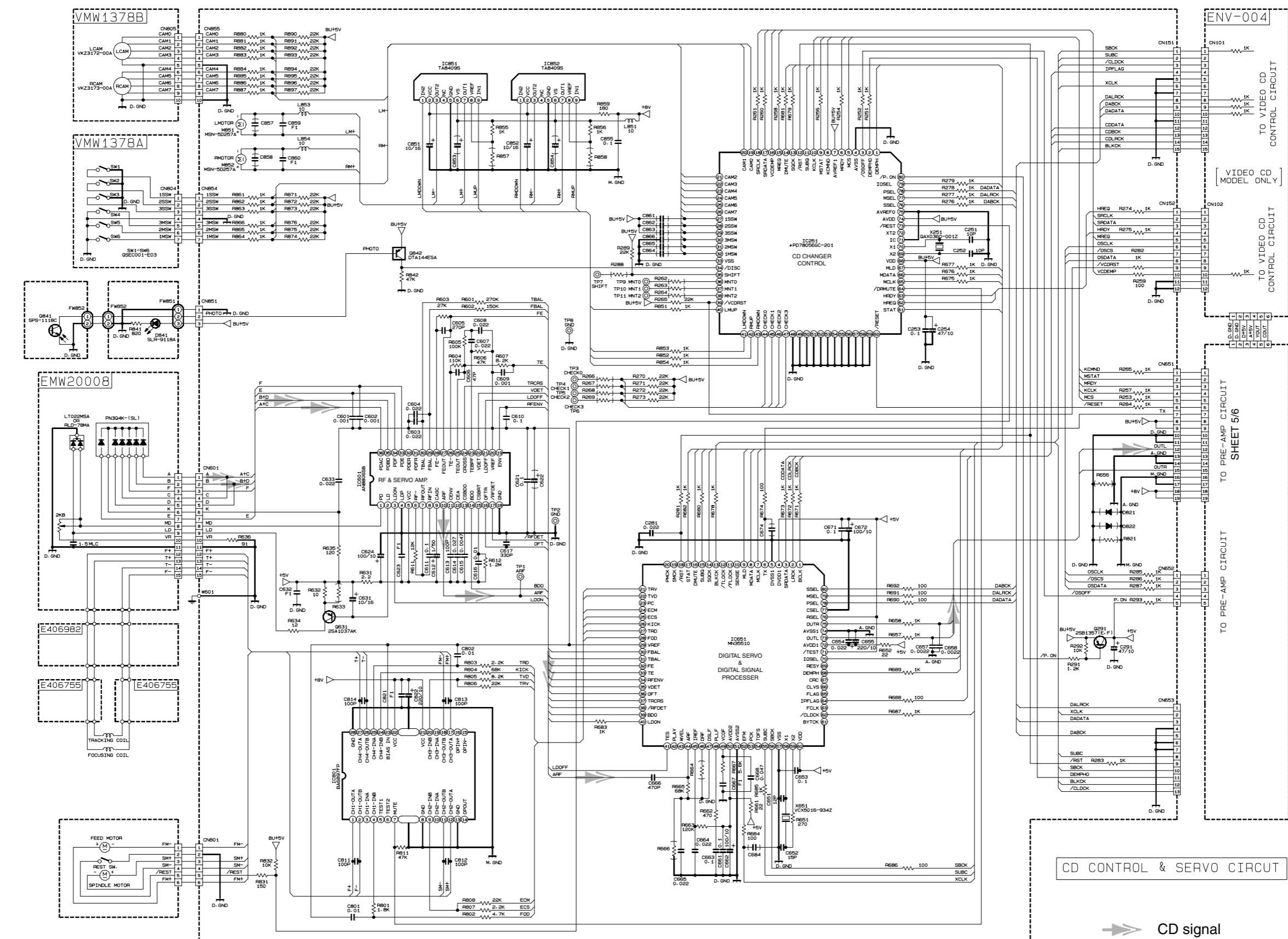
TO MAIN PWB SHEET 2/6

TO CRTL.PWB SHEET 3/6

➡ TAPE P.B. signal

CD Servo & CD Mechanism control section

7  
6  
5  
4  
3  
2  
1



CD CONTROL & SERVO CIRCUIT

CD signal

ENV-004

TO VIDEO CD CONTROL CIRCUIT

VIDEO CD MODEL ONLY

TO VIDEO CD CONTROL CIRCUIT

TO PRE-AMP CIRCUIT SHEET 5/6

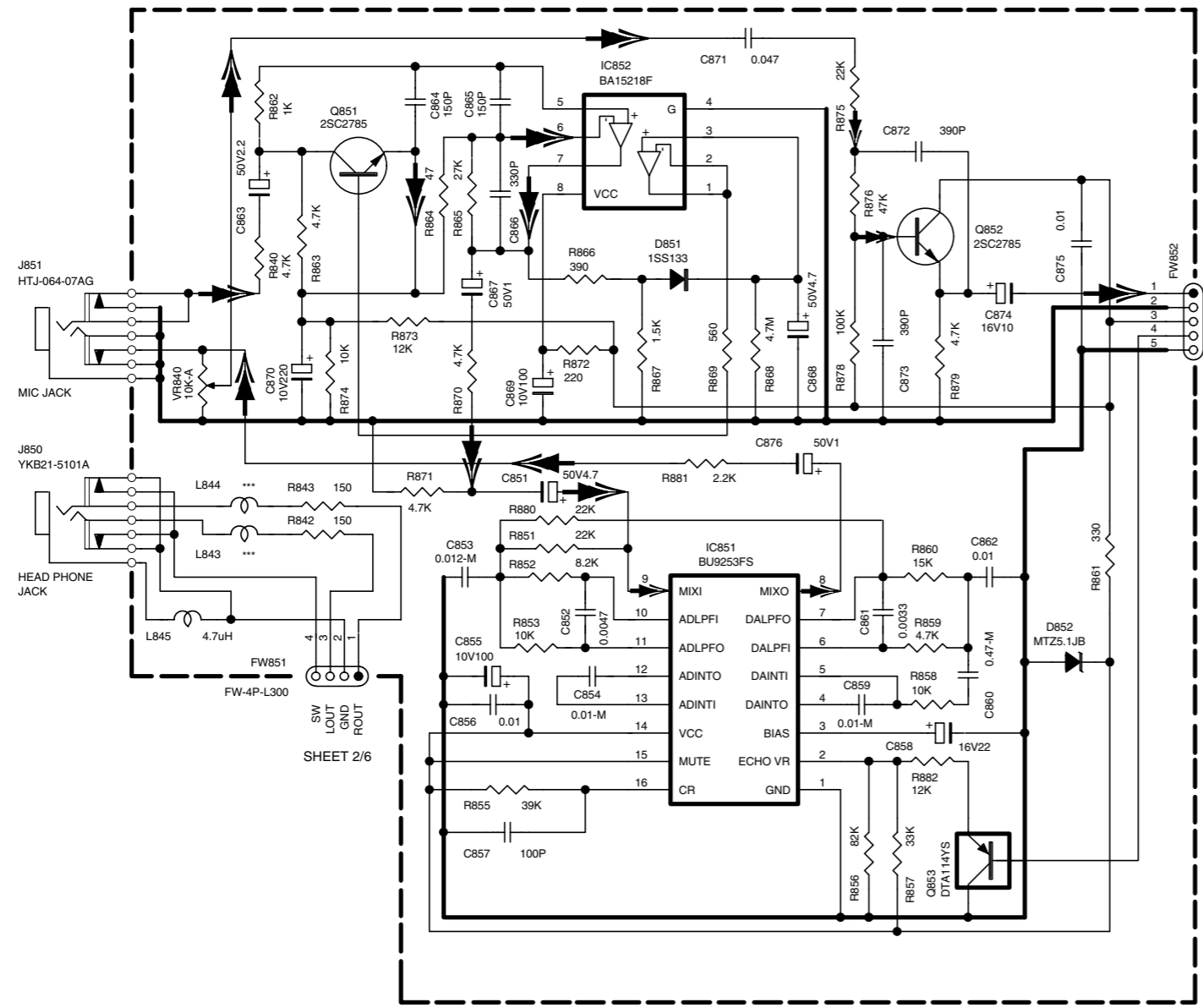
TO PRE-AMP CIRCUIT

EMW10729

A B C D E F G H I J

■ Mic & Headphone section

7  
6  
5  
4  
3  
2  
1



EWRS350-301S

MIC  
AG  
+B 9V  
ECHO  
DG

TO MAIN PCB  
SHEET 2/6

➔➔ Mic signal

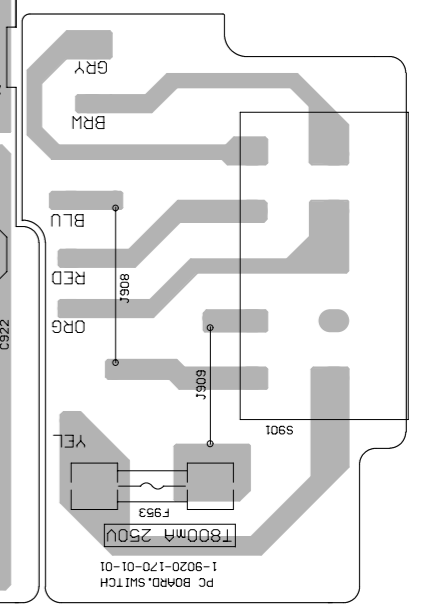
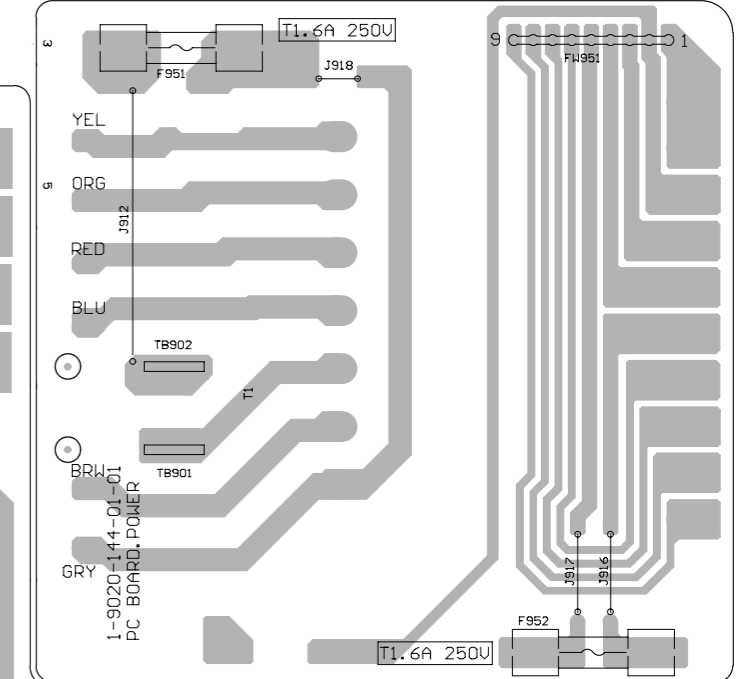
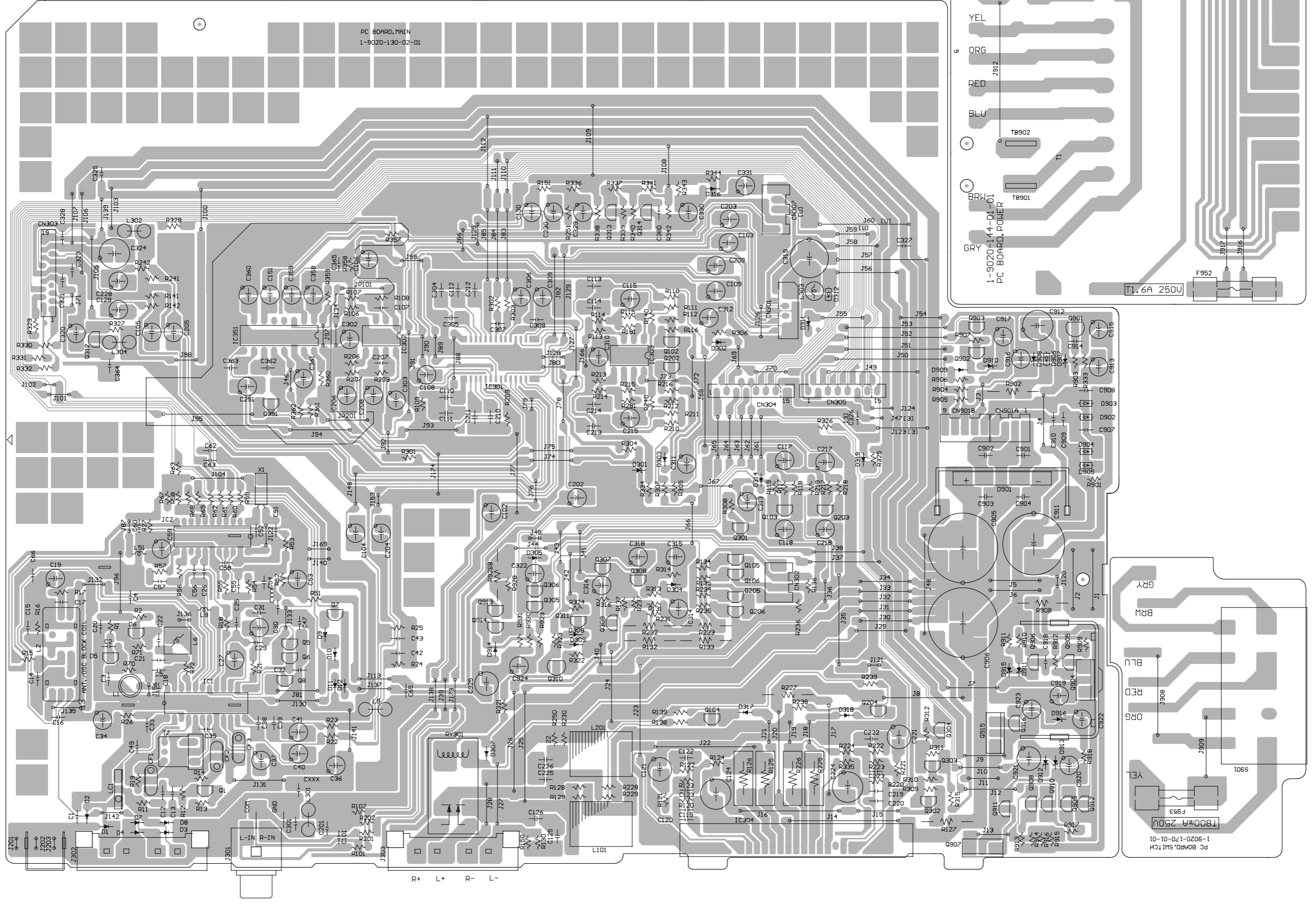
A B C D E F G H I J

# Printed circuit boards

■ Main board

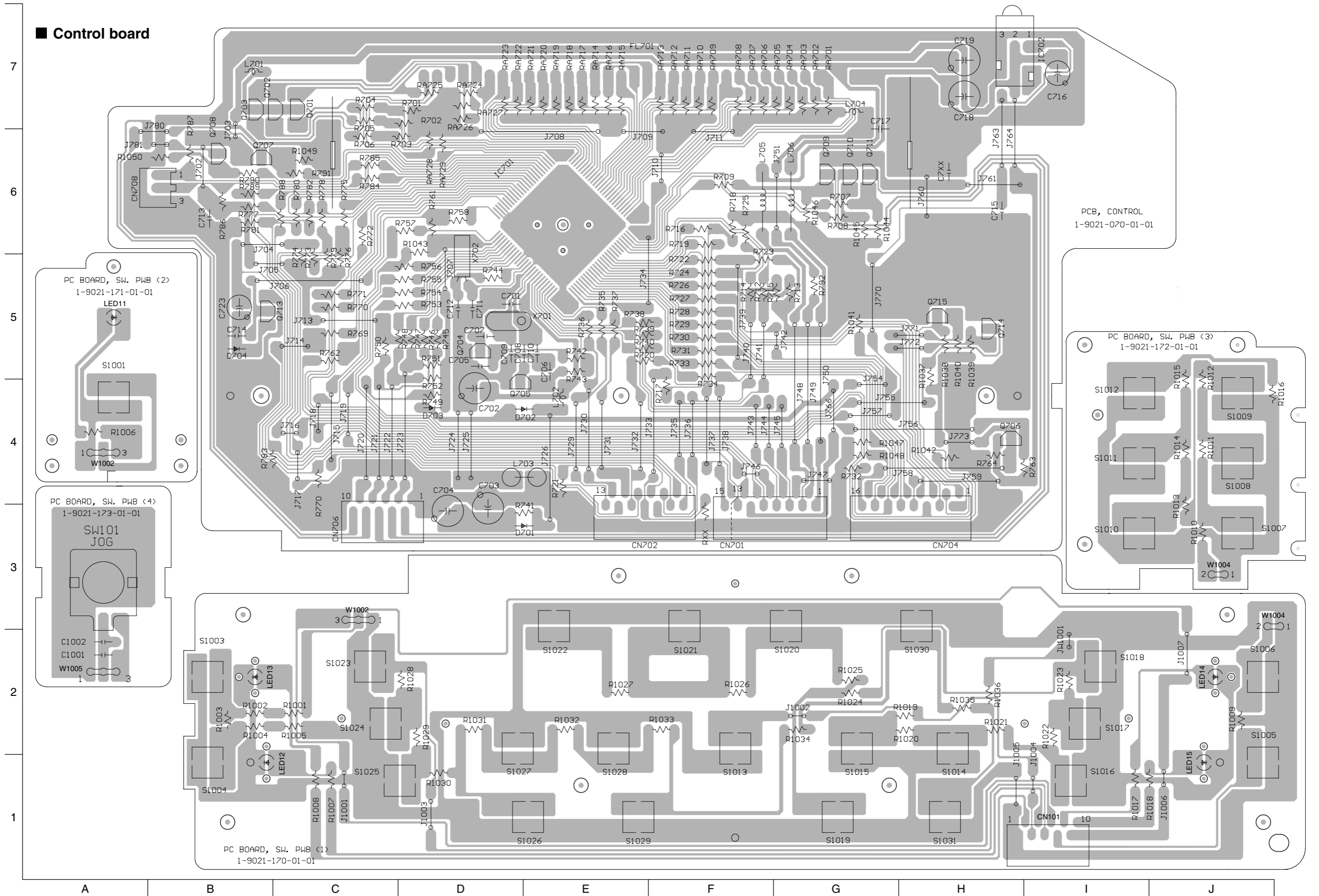
7  
6  
5  
4  
3  
2  
1

A B C D E F G H I J

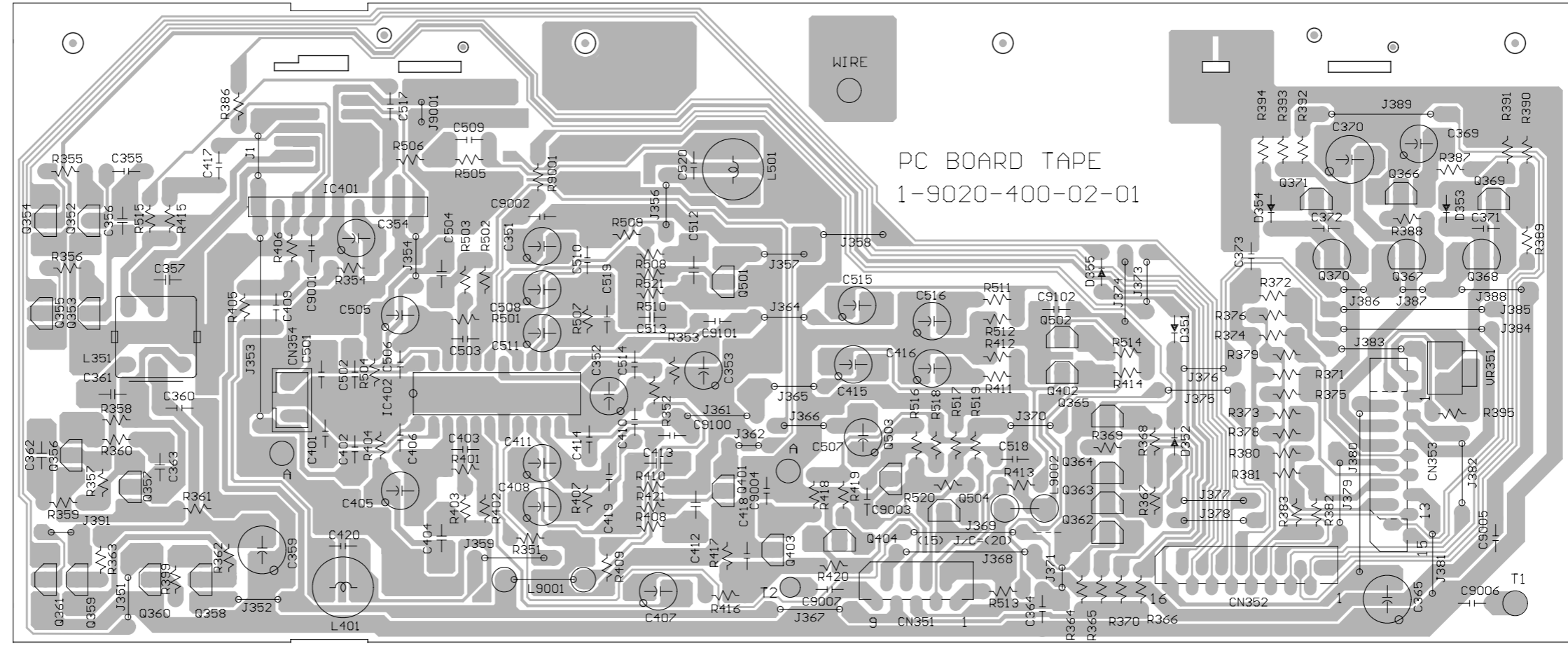




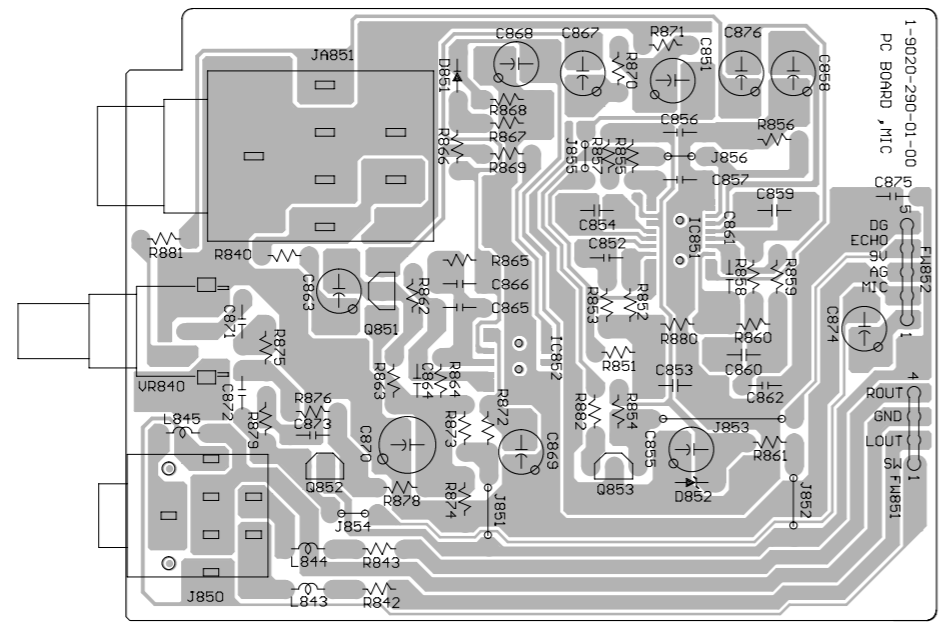
■ Control board



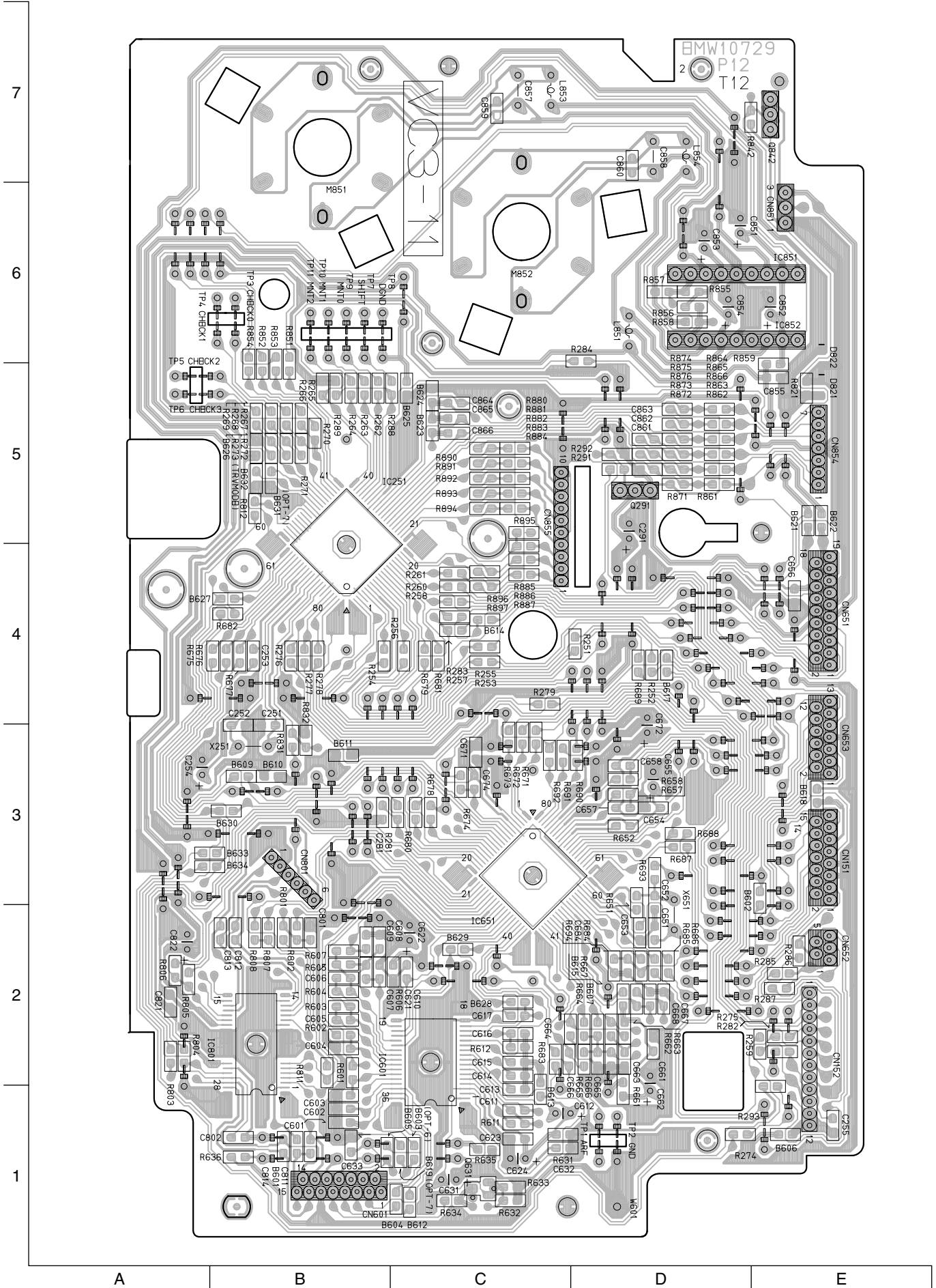
■ Cassette amplifier board



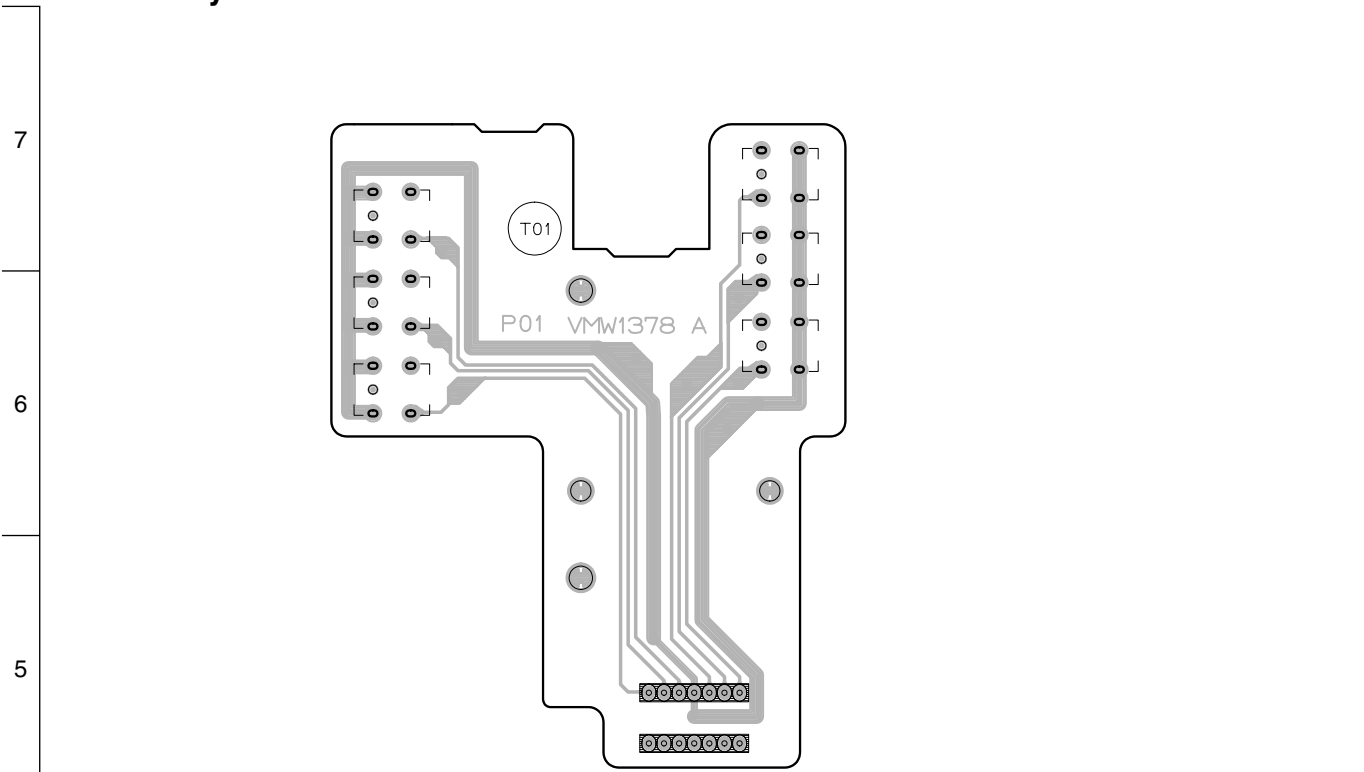
■ Headphone & Microphone board



■ CD servo control board



■ CD Tray section switch board



■ Cam switch board

